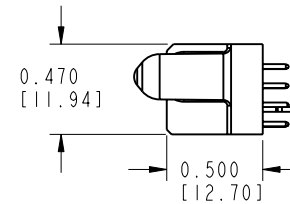
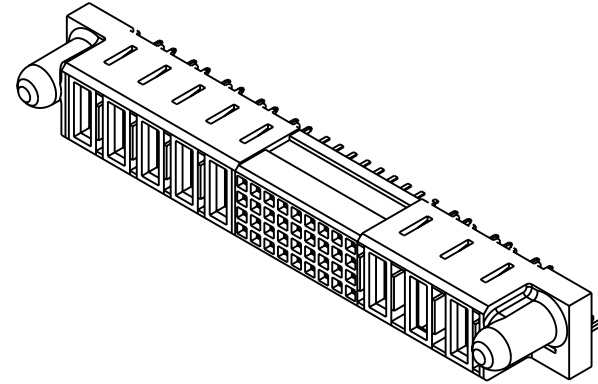
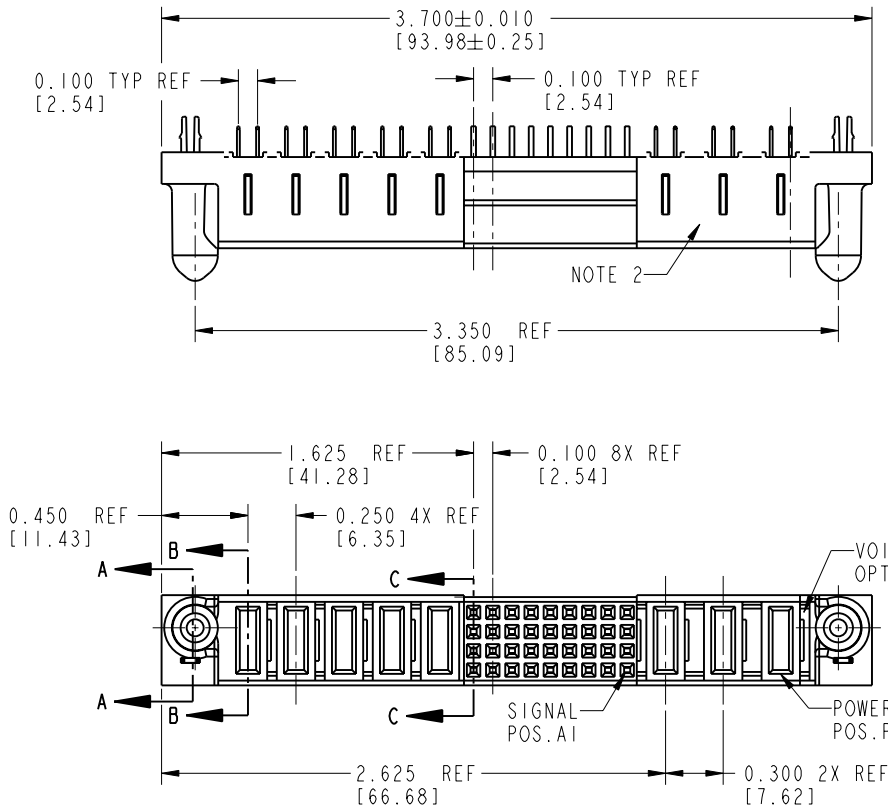


Tous droits strictement réservés. Reproduction ou communication o des liers interdite sous quelque forme que ce soit sans autorisation écrite du propriétaire. Propriété de c FCI. Droits de reproduction FCI.

All rights strictly reserved. Reproduction or issue to third parties in any form, whatever is not permitted without written authority from the proprietor. Property of FCI. Copyright FCI.

PRODUCT NUMBER
51673-001--
NOTE: 3



mat'l code				NOTE 1		tolerances unless otherwise specified		CUSTOMER	
lfr	ecn no.	dr	date	linear	.XX±.01/0.X±0.3	projection	COPY		
A	V02392	JRW	10-09-00	angles	.XXX±.005/0.XX±0.13	INCH/MM	FCI www.fciconnect.com		
B	DG05-0375	GuoJM	10/07/05	dr	.XXX±.0020/.XXX±.051	scale	title 3ACP + 36S + 5P VERTICAL SOLDER RECEPTACLE		
				engr	0°±2°	1:1	product family PWRBLADE		code 213
				chr	C. BAROT 12-09-99		size dwg no		sheet 1 of 3
				appd	J. BROWN 12-09-99		A 51673		
sheet index	revision sheet	B 1	B 2	B 3					

Pro/E

cage code 22526

PDM: Rev:B

STATUS: Released

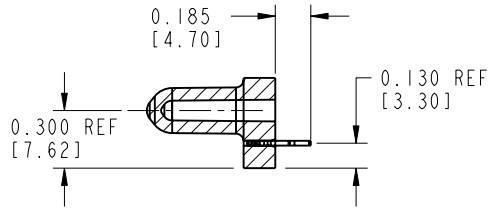
Printed: Aug 11, 2007

Tous droits strictement réservés. Reproduction ou communication o des liers interdite sous quelque forme que ce soit sans autorisation écrite du propriétaire. Propriete de c FCI. Droits de reproduction FCI.

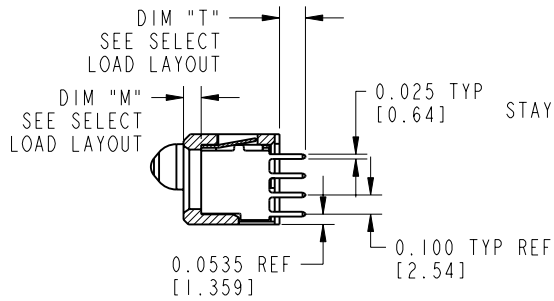
All rights strictly reserved. Reproduction or issue to third parties in any form, whatever is not permitted without written authority from the proprietor. Property of FCI. Copyright FCI.

PRODUCT NUMBER

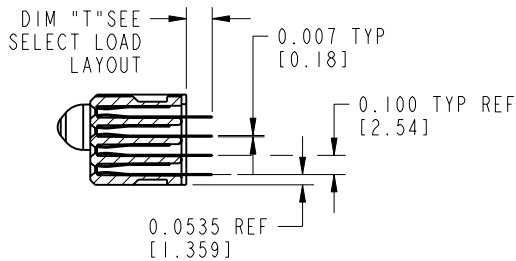
51673-001 --
NOTE: 3



SECTION A-A

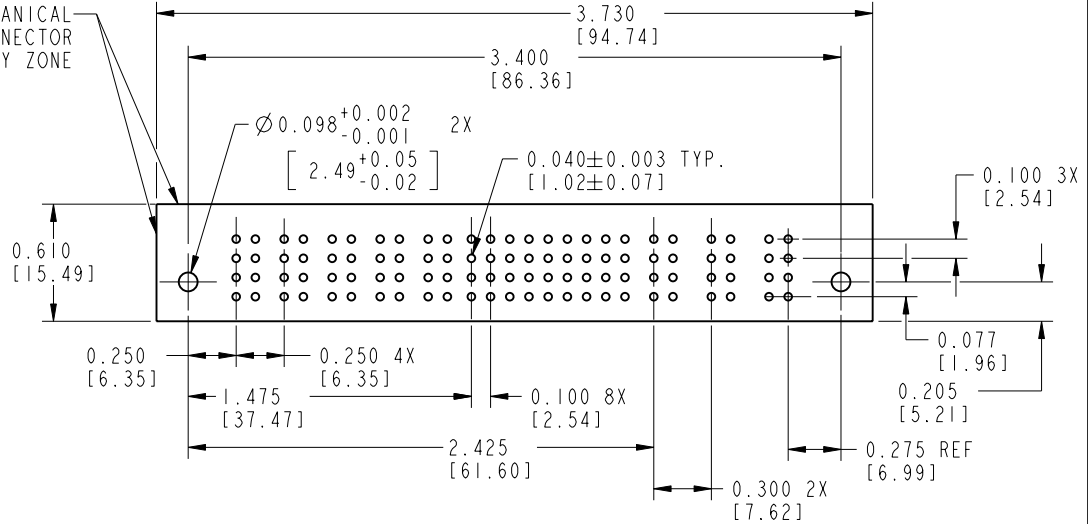


SECTION B-B



SECTION C-C

MECHANICAL CONNECTOR STAY-AWAY ZONE



RECOMMENDED PCB LAYOUT

mat'l code				tolerances unless otherwise specified		CUSTOMER		 www.fciconnect.com		
lfr	ecn no.	dr	date	linear	.XX±.01/0.X±0.3	COPY				
B				projection	.XXX±.005/0.XX±0.13			title 3ACP + 36S + 5P VERTICAL SOLDER RECEPTACLE		
				angles	.XXX±.0020/.XXX±.051	INCH/MM		product family PWRBLADE code 213		
				dr	0°±2°	scale 1:1		size dwg no 51673 sheet 2		
				engr	C. BAROT 12-09-99					
				chr	J. BROWN 12-09-99					
				appd	J. BROWN 12-09-99					
sheet index	revision sheet								coge code 22526	

Pro/E

coge code 22526

PDM: Rev:B

STATUS: Released

Printed: Aug 11, 2007

